



VISTA 105

105" 5K 21:9 Ultra-Slim Non-Touch Display



MTC Technologies brings to you VISTA 105, a flagship 105" LCD display for board rooms and meeting spaces.

Key Features

Stunning Image Quality

5K 60Hz 10-bit 4:4:4 images
HDR500 fidelity
90% NTSC Color Gamut
Ultra-high speed USB-C & DP1.4 inputs

Professional Design

Fan-less, high MTBF
Slim bezel and shallow depth

True Signage and Broadcast Quality

500 nits Brightness
IPS technology
Portrait and Landscape
24x7 rated

Unique and Versatile

21:9 aspect makes strong impact in portrait or landscape
5K 30Hz OPS slot
5K 30Hz HDMI 2.0 inputs
Far less expensive than direct LED

TECHNOLOGY DELIVERED

LCD PANEL

Brightness	500 cd/m ²
Contrast Ratio	1200:1
Viewing Angle	178°/178°
Response Time	8 ms
Supported Colors	10-bit (8-bit + FRC)
Display Resolution	5120 x 2160
Display Frame Rate	60 Hz
Color Gamut	90% NTSC
HDR Level	HDR500
Portrait/Landscape	Portrait and Landscape
Technology	IPS

SIGNAL COMPATIBILITY / CONNECTIVITY

Input Resolution	Up to 5120x2160 60Hz
Input Connectors	(1) USB-C (5K 60Hz, 60W PD) (1) DisplayPort 1.4 (5K 60Hz) (2) HDMI 2.0 (5K 30Hz)
Output Connectors	(1) DisplayPort 1.4 (MST) (1) Audio Out (1) SPDIF Out
OPS Slot	(1) 5K 30Hz, 96W, Intel-compliant
USB Ports	(4) Powered USB-A Type 3.0 (2) USB-B Type 3.0
Communication Ports	(1) Ethernet (1) RS232C (1) IR Extender

MECHANICAL

Construction	All Metal
Wall Mount	VESA
Fan-less Design	Yes

OSD FUNCTIONS

OSD Control Function	RS232C, Keypad, IR Remote
----------------------	---------------------------

ELECTRICAL

Power Supply	Full Commercial
Normal Operation	AC 100V ~ 240V (50/60 Hz)
Power Off	≤ 0.5W
Speaker	10W x 2

ENVIRONMENTAL

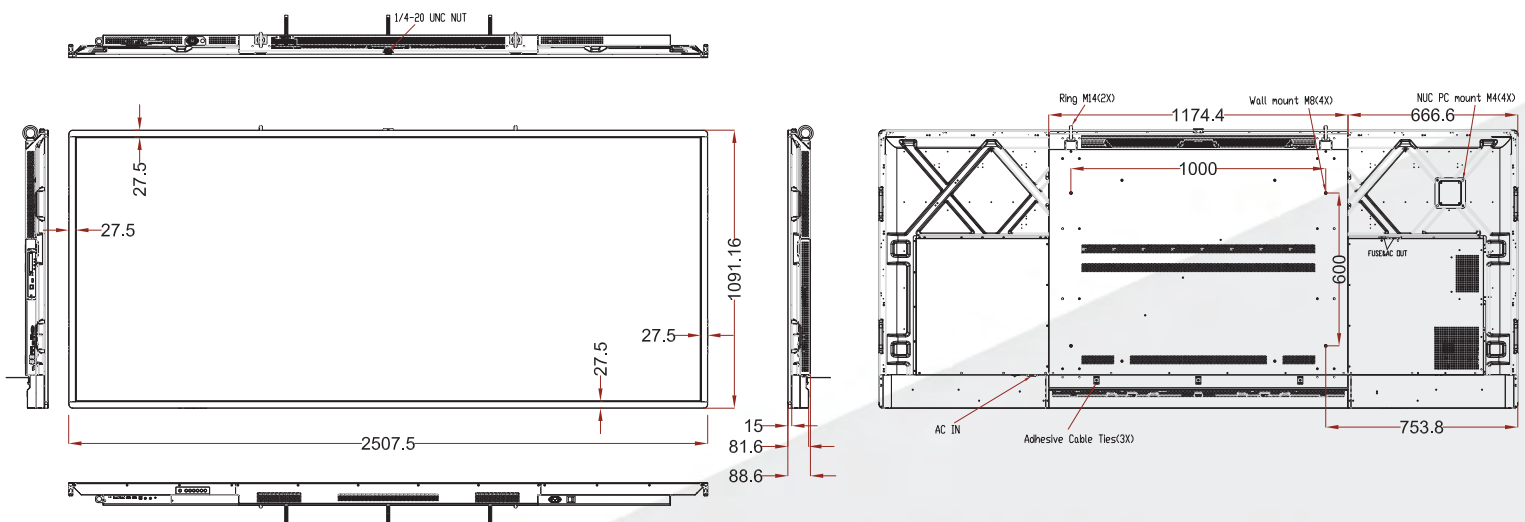
Operating Temperature	5°C - 40°C
Operating Humidity	15% - 80% RH

DIMENSIONS

Display(WxHxD):	2507.5 x 1091.16 x 88.6 mm
Bezel:	31.2 (T) 31.8 (L,R) 42.2(B)
VESA:	1000 x 600 mm
Net Weight:	72 kg
Gross Weight:	90 kg
Packing Dimensions:	267 x 22 x 126 cm

WARRANTY

1 Year Standard Warranty



TECHNOLOGY DELIVERED