



# Liftable & Foldable 135" All-in-one LED Display



Foldable



Liftable

## Motorized Height Adjustment | Seamless Folding

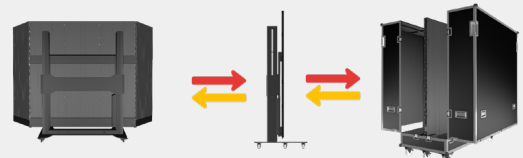
MTC foldable and liftable display feature a sleek and slim body design with excellent image quality. The foldable design significantly reduces the packaging size by nearly 50%. It can be easily moved to different locations, making it ideal for conference rooms, exhibitions, events and school classrooms.

### Product Features



#### Seamless While Being Folded

5mm ultra-thin frame, the display is not affected while being folded.



#### Liftable & Foldable, Convenience in delivery

The display can be folded and it can be easily moved to different locations.



#### BYOD, Wireless Projection

One-click screen sharing on computers, iPads, mobile phones, etc., Display up to 9 devices at the same time.



#### Various Input Interfaces, Splicing Mode

It supports up to four separate signal inputs.



#### Stunning Sound System

Built-in 2x20W full-band speakers, 20-20khz ultra-wide frequency, provide stereo surround sound.



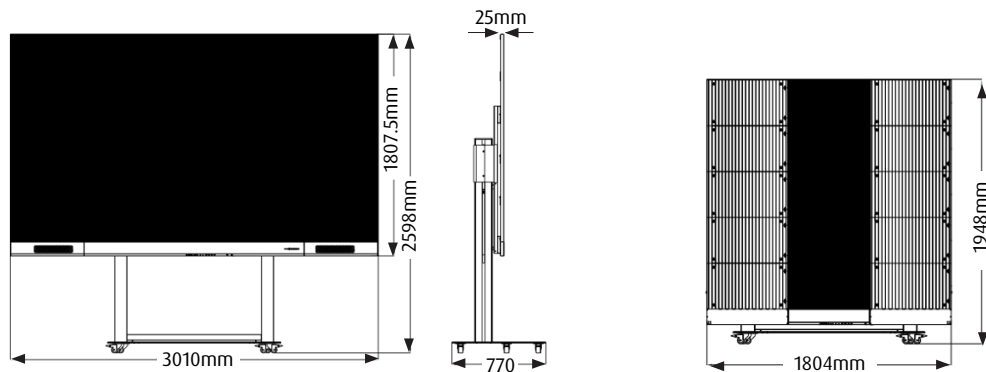
#### Dual Screen Splicing

Two all-in-one displays splice screens to achieve more applications.

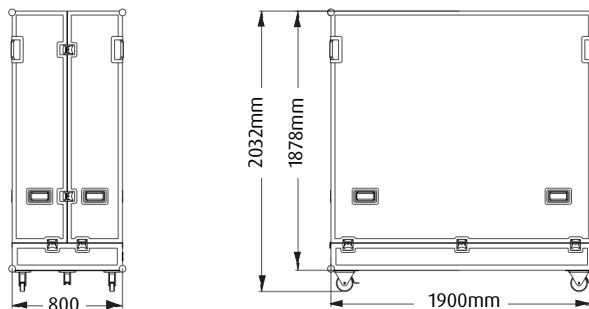
Product Specifications	DP135CLFOHDG
Pixel pitch (mm)	1.5625
Resolution (W x H)	1920x1080
System	Android 9.0
System Core	Quad-core CPU/ Mali GPU/ 4G RAM +64G ROM
Display area (mm)	3000x1687.5
Dimension (mm) (with frame)	3010x1807.5x25
Weight (kg/screen) (with frame)	225
Gray scale (Bit)	14
Refresh rate (Hz)	2880-3840
Contrast Rate	6000:1
Brightness (nits)	100-600(8 level adjustable)
Viewing angle (H°/V°)	160°/160°
Video interface	HDMI IN 1.4 x2, HDMI IN 2.0 x2, HDMI IN 2.1 x1 HDMI OUT 2.0 x1, USB x3, Type-C IN x1, VESA 3D Output
Audio interface	External interface Out Audio OUT, Audio Out S/PDIF OUT, Microphone In Audio IN, Optional customized 2x20W full-band audio
Control interface	RJ45 x1, RS232 x1, IR IN x1, Dual WIFI, Bluetooth, Infrared remote control
Power Consumption	Average 840W, Maximum 2800W
Power Requirement	AC 100 ~ 240V, 50/60Hz
Operation Temperature/Humidity	-10°C ~ 40°C/ 20% ~ 80%RH
Installation/Maintenance	Movable Installation/Front Maintenance

## Dimensions

### Display



### Flight case



\* All features and specifications are subject to change without notice.