

KP-08P01

8-Button Keypad kit



MTC KP-08P01 is an 8-button keypad kit. It includes an ambient luminosity sensor, proximity sensor and 8 color-adjustable buttons. There are 8 independent buttons on the keypad module with adjustable Red/Green/Blue and white color LED. Users can configure it into 4-8 button mode to meet different project requirements. In sleep mode, the ambient light sensor and proximity sensor can detect the environment and dim up/down the LED lights accordingly.

Key Features:

- ▶ 8 color-adjustable buttons
- ▶ Configurable 4-8 button mode
- ▶ Ambient light sensor and proximity sensor
- ▶ Auto and configurable dim up/down LED according to the environment in sleep mode
- ▶ Streamlined and concise design to fit in any decoration
- ▶ Black or white button and faceplate

Technical Specifications

Buttons & Indicators

1 - 8 Buttons	(8) Push buttons
8 Sets of Color-Adjustable LEDs	(8) LEDs to indicate button color and status
ID Switch	(2) Digit rotary switches
Reset Button	(1) Hidden button to power cycle the keypad (top left corner of the back)
Firmware Upgrade Port	(1) For firmware upgrade

Power Requirement for Keypad Module

Working Voltage	9 to 16V DC
Power Consumption	2.4W Max (12V DC, 200mA, LED all on white)
Standby Power Consumption	0.24W (12V DC, 20mA, LED off)

Connections

Network	(2) Sets 4-pin 3.5mm detachable terminal block
---------	--

Mechanical Data

Dimensions	86mm x 86mm x 8mm (out of wall)
Housing	Black or white plastic
Weight	105g ± 5g
IP Code	IP30 (IP00 at terminals)

Environmental Data

Ambient Temperature	0°C to + 45°C
Relative Humidity	0% to 90% (non-condensing)
Storage Temperature	- 10°C to + 70°C

Warranty

Warranty	1 year standard
----------	-----------------

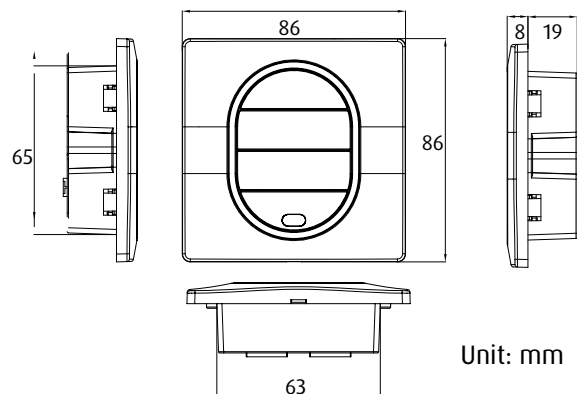
Optional Colours & Product Item No.

Black Keypad Kit (KP-08P01B)	Black keypad module (KP-08BB01B) : including full set of black button caps 1-4 (KP-08BC01B) Black faceplate (KP-08PF01B)
White Keypad Kit (KP-08P01W)	White keypad module (KP-08BB01W) : including full set of white button caps 1-4 (KP-08BC01W) White faceplate (KP-08PF01W)

Accessories

Black faceplate (KP-08PF01B)
Full set of black button caps 1 - 4 (KP-08BC01B)
White faceplate (KP-08PF01W)
Full set of white button caps 1 - 4 (KP-08BC01W)

Drawings



Unit: mm

Remarks:

- * Engraving is not included for full set of button caps 1 - 4
- * All features and specifications are subject to change without notice.