

Open Pluggable Specification (OPS) for Interactive Display



Upgrade the touch display with an optional Open Pluggable Specification (OPS PC) allows users to easily operate an interactive presentation and collaboration. It is compatible with Windows/Linux OS. With OPS, users can download any software or application without connection to any external computer or device.

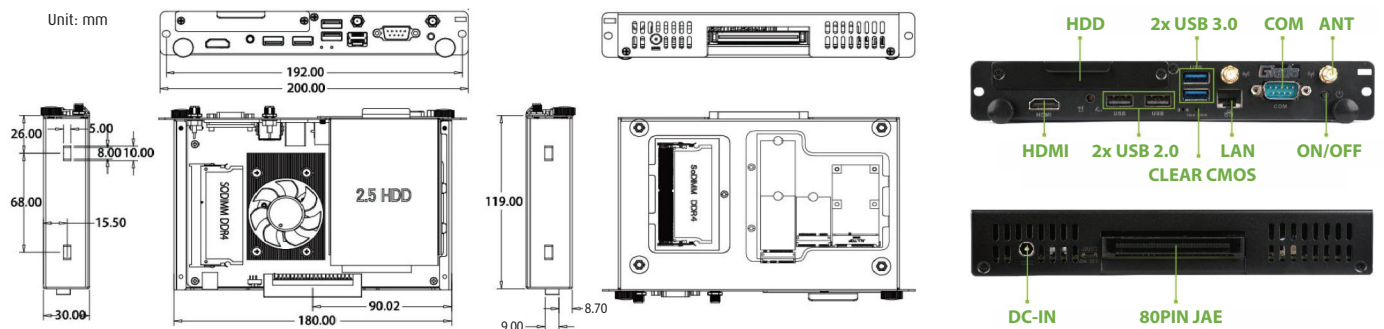
Features:

- Support Intel® 7th Generation Core Processors
- Support Up to 4K Video Resolution by 1 x JAE (DP/HDMI) and 1 x HDMI
- Support H.264 and H.265 Decoding
- Support WiFi & LAN
- 2 x SO DIMM DDR4, Up to 32GB
- 1 x 2.5" SATA , 1 x mSATA, 1 x M.2 (2242/2280)

Specification of OPS

Product	Model	OPSGAI371U ^{xx} y	OPSGAI572U ^{xx} y	OPSGAI775U ^{xx} y
	Product Description	i3 OPS for interactive display	i5 OPS for interactive display	i7 OPS for interactive display
Processor	CPU	Intel® Core™ i3-7100U processor	Intel® Core™ i5-7200U processor	Intel® Core™ i7-7500U processor
	Frequency	2.4 GHz	2.5 GHz (up to 3.1 GHz)	2.7 GHz (up to 3.5 GHz)
	Cache	3 MB Intel® Smart Cache	3 MB Intel® Smart Cache	4 MB Intel® Smart Cache
	BIOS	AMI Source Code		
Memory	Type	DDR4, 2 x SO-DIMM, Up to 32GB		
	RAM	8GB, 16GB, 32GB. Refer to suffix (xx) Suffix : 08 - 8GB ; 16 - 16GB ; 32 - 32GB		
	Socket	2 x 260-pin SO-DIMMs DDR4		
Storage	SATA 2.5" SSD Capacity	128GB, 256GB, 512GB. Refer to suffix (y) Suffix : 1 - 128GB ; 2 - 256GB ; 5 - 512GB		
	GPU	Intel® HD Graphics 620		
Graphics	Graphic Engine	Direct3D 2015, OpenGL 5.0 and OpenCL 2.1		
	Front HDMI	Max. 3840 x 2160 @30Hz (video signal only)		
	HDMI (by JAE)	Max. 3840 x 2160 @30Hz		
	DP (by JAE)	Max. 4096 x 2304 @60Hz		
Audio	Controller	Realtek ALC662-VD		
	Port	1 x 2-in-1 headset (MIC-IN & AUDIO OUT)		
Ethernet	Controller	Realtek RTL8111, Gigabit Ethernet		
	Wifi	Supported		
I/O Interface	Serial Ports	1 x RS232 (DB9)		
	USB Interface	2 x USB 3.0 & 2 x USB 2.0		
JAE	JAE slot	Standard 80pin JAE slot (DP: Max. 4096 x 2304 @60Hz + HDMI: Max. 3840 x 2160 @30Hz)		
Expansion	Mini PCIe #1	1 x M.2 (2230) for WiFi & BT		
	Mini PCIe #2	1 x M.2 (2242/2280) for SSD		
Storage	2.5" Drive Bay	1		
	mSATA	1 x Full-length mSATA		
OS Support	Microsoft Windows	Windows 7/10 (64-Bit)		
	Linux	Supported		
Power Requirement	Power Type	ATX/ AT mode		
	Power Rating	19V / 2A		
	Construction	Metal		
Mechanical	Dimensions (W x H x D)	200 x 119 x 30 mm		
	Operating Temperature	0 ~ 40°C @0.7m/s air flow		
Environment	Storage Temperature	-20 ~ 60°C		
	Relative Humidity	95% @40°C (non-condensing)		
Certification	Regulation	CE, FCC, Class B, LVD		

Product Dimensions



Remark: All features and specifications are subject to change without notice.